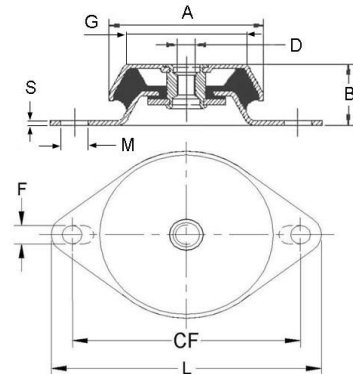


CFA



Con bussola antistrappo
With anti-tear compass

CARATTERISTICHE :	
Elemento elastico	: (gomma)
Parti metalliche	: acciaio zincato bianco UNI-ISO 2081
Impieghi:	motori a scoppio, motori elettrici , gruppi elettrogeni , gruppi motocompressori e motopompe, gruppi frigoriferi, strutture
CHARACTERISTICS :	
Elastic element	: (rubber)
Hardwares	: steel coated with white zinc UNI-ISO 2081
Uses	: petrol engines and pistone engine, electric motors, generators, engine compressors, motor-pumps, refrigerators, metal structure.



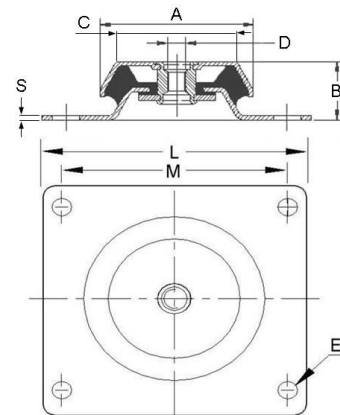
DIMENSIONI / DIMENSIONS								
CODICE/CODE	A	B	D	F(xM)	CF	G	L	S
CFA623110	62,0	31,0	M10	9,0(x14,0)	80,0 ÷ 92,0	50,0	110,0	2,5
CFA623112	62,0	31,0	M12	9,0(x14,0)	80,0 ÷ 92,0	50,0	110,0	2,5
CFA924512	92,0	43,5	M12	10,4(x14,8)	105,0 ÷ 117,0	73,5	150,0	3,0
CFA1063812	106,0	38,0	M12	13,0(x19,0)	135,0 ÷ 150,0	75,0	175,0	4,0
CFA1063816	106,0	38,0	M16	13,0(x19,0)	135,0 ÷ 150,0	75,0	175,0	4,0

CFQA



Con bussola antistrappo
With anti-tear compass

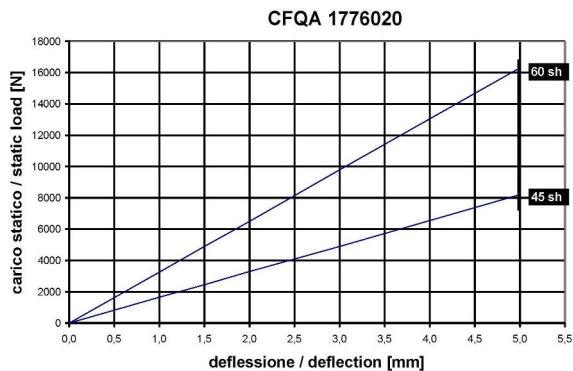
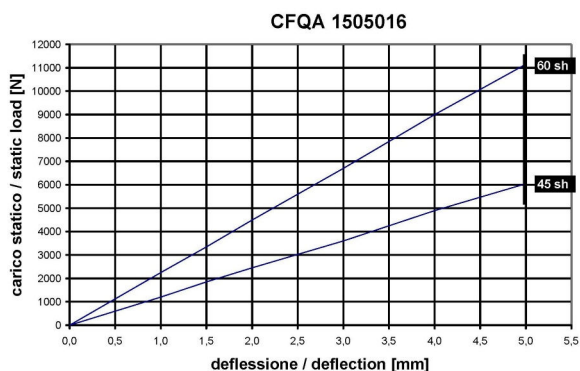
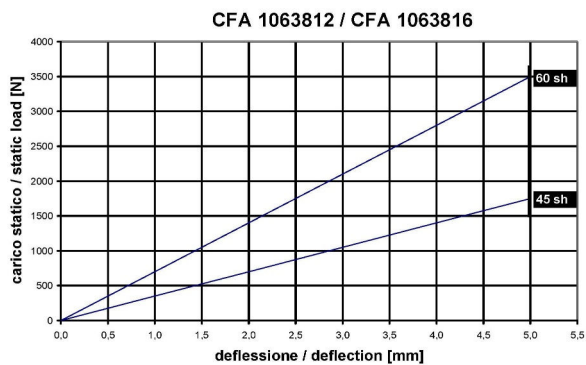
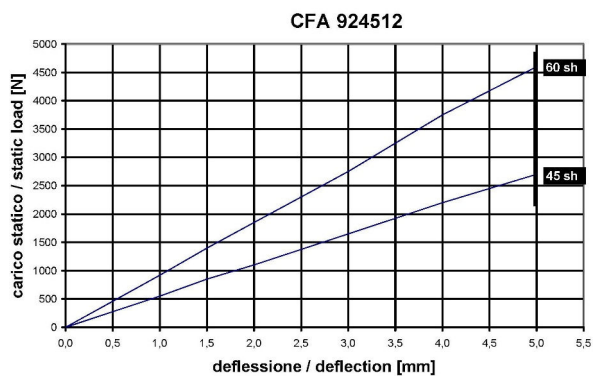
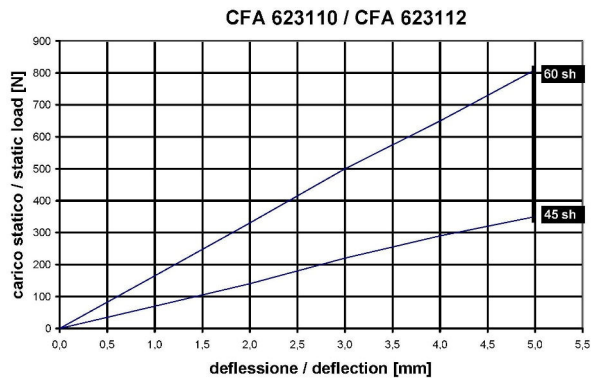
CARATTERISTICHE :	
Elemento elastico	: (gomma)
Parti metalliche	: acciaio zincato bianco UNI-ISO 2081
Impieghi:	motori a scoppio, motori elettrici , gruppi elettrogeni , gruppi motocompressori e motopompe, gruppi frigoriferi, strutture metalliche.
CHARACTERISTICS :	
Elastic element	: (rubber)
Hardwares	: steel coated with white zinc UNI-ISO 2081
Uses	: petrol engines and pistone engine, electric motors, generators, engine compressors, motor-pumps, refrigerators, metal structure.



- * Preventivi a richiesta secondo le quantità
- * Quotations requests depends on quantity

DIMENSIONI / DIMENSIONS (mm)								
CODICE/CODE	A	C	D	E	L	M	B	S
CFQA1505016	150,0	110,0	M16	14,0	170,0	128,0 ÷ 137,0	52,0	4,0
CFQA1505020	150,0	110,0	M20	14,0	170,0	128,0 ÷ 137,0	52,0	4,0
CFQA1776016	180,0	130,0	M16	18,0	190,0	145,0 ÷ 155,0	60,0	5,0
CFQA1776020	180,0	130,0	M20	18,0	190,0	145,0 ÷ 155,0	60,0	5,0

Le dimensioni e le caratteristiche delle attrezzature riportate nel presente documento, non vincolano la Soleco engineering s.r.l. e possono essere variate senza alcun preavviso.
The dimensions and the features of the equipments mentioned in this price list can be changed by Soleco engineering s.r.l. without notice.



Le dimensioni e le caratteristiche delle attrezzature riportate nel presente documento, non vincolano la Soleco engineering s.r.l. e possono essere variate senza alcun preavviso.
The dimensions and the features of the equipments mentioned in this price list can be changed by Soleco engineering s.r.l. without notice.