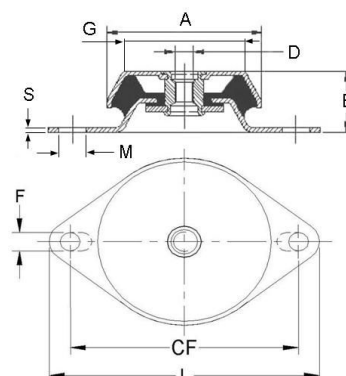


### CFAX



<b>CARATTERISTICHE :</b>	
Elemento elastico	: ( gomma )
Parti metalliche	: acciaio inox AISI 316
Impieghi:	motori a scoppio, motori elettrici , gruppi elettrogeni , gruppi motocompressori e motopompe, gruppi frigoriferi, strutture metalliche.
<b>CHARACTERISTICS :</b>	
Elastic element	: ( rubber )
Hardwares	: stainless steel AISI 316
Uses	: petrol engines and pistone engine, electric motors, generators, engine compressors, motor-pumps, refrigerators, metal structure.



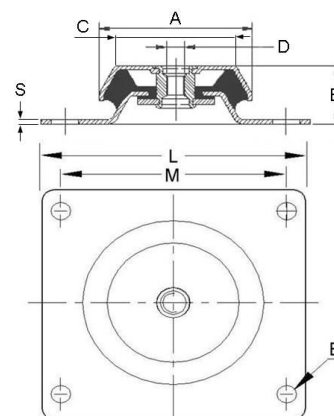
Con bussola antistrappo  
With anti-tear compass

DIMENSIONI / DIMENSIONS (mm)								
CODICE/CODE	A	B	D	F(xM)	CF	G	L	S
CFAX623110	62,0	31,0	M10	9,0(x14,0)	80,0 ÷ 92,0	50,0	110,0	2,5
CFAX623112	62,0	31,0	M12	9,0(x14,0)	80,0 ÷ 92,0	50,0	110,0	2,5
CFAX924512	92,0	43,5	M12	10,4(x14,8)	105,0 ÷ 117,0	73,5	150,0	3,0
CFAX1063812	106,0	38,0	M12	13,0(x19,0)	135,0 ÷ 150,0	75,0	175,0	4,0
CFAX1063816	106,0	38,0	M16	13,0(x19,0)	135,0 ÷ 150,0	75,0	175,0	4,0

### CFQAX



<b>CARATTERISTICHE :</b>	
Elemento elastico	: ( gomma )
Parti metalliche	: acciaio inox AISI 316
Impieghi:	motori a scoppio, motori elettrici , gruppi elettrogeni , gruppi motocompressori e motopompe, gruppi frigoriferi, strutture metalliche.
<b>CHARACTERISTICS :</b>	
Elastic element	: ( rubber )
Hardwares	: stainless steel AISI 316
Uses	: petrol engines and pistone engine, electric motors, generators, engine compressors, motor-pumps, refrigerators, metal structure.



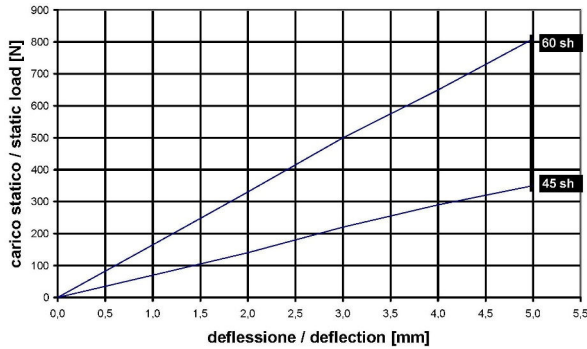
Con bussola antistrappo  
With anti-tear compass

- \* Preventivi a richiesta secondo le quantità
- \* Quotations requests depends on quantity

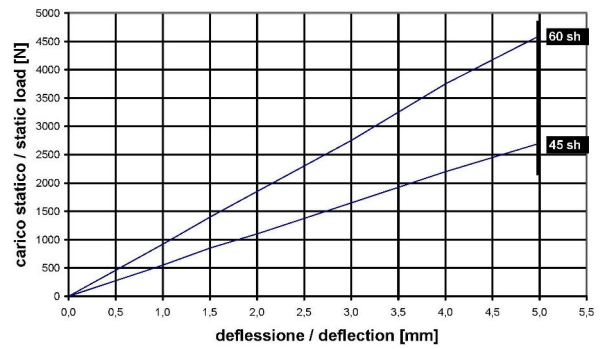
DIMENSIONI / DIMENSIONS (mm)								
CODICE/CODE	A	C	D	E	L	M	B	S
CFQAX1505016	150,0	110,0	M16	14,0	170,0	128,0 ÷ 137,0	52,0	4,0
CFQAX1505020	150,0	110,0	M20	14,0	170,0	128,0 ÷ 137,0	52,0	4,0
CFQAX1776016	180,0	130,0	M16	18,0	190,0	145,0 ÷ 155,0	60,0	5,0
CFQAX1776020	180,0	130,0	M20	18,0	190,0	145,0 ÷ 155,0	60,0	5,0

Le dimensioni e le caratteristiche delle attrezzature riportate nel presente documento, non vincolano la Soleco engineering s.r.l. e possono essere variate senza alcun preavviso.  
The dimensions and the features of the equipments mentioned in this price list can be changed by Soleco engineering s.r.l. without notice.

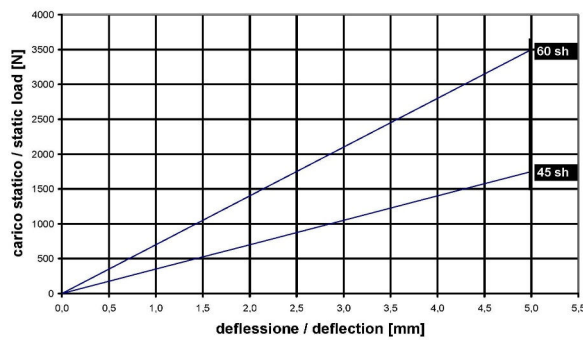
**CFAX 623110 - 12**



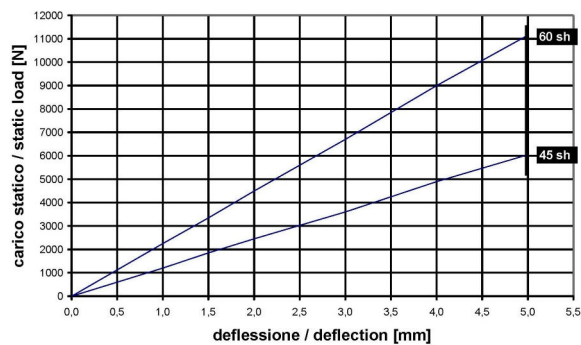
**CFAX 924512**



**CFAX 1063812 - 16**



**CFQAX 1505016 - 20**



**CFQAX 1776016 - 20**

