

CFQ & CSQ



CARATTERISTICHE :

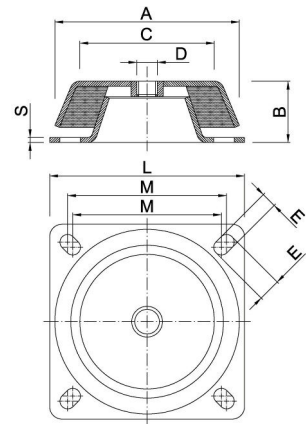
Elemento elastico : (gomma)
 Parti metalliche : acciaio zincato bianco
 UNI-ISO 2081

Impieghi: motori a scoppio, motori elettrici, gruppi elettrogeni,
 gruppi motocompressori e motopompe, gruppi frigoriferi, strutture
 metalliche.

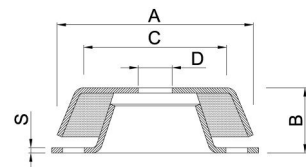
CHARACTERISTICS :

Elastic element : (rubber)
 Hardwares : steel coated with white zinc
 UNI-ISO 2081

Uses : petrol engines and pistone engine, electric motors, generators,
 engine compressors, motor-pumps, refrigerators, metal structure.



DIMENSIONI / DIMENSIONS (mm)								
CODICE/CODE	A	C	D	E	L	M	B	S
CFQ1505016	150,0	110,0	M16	14,5 x 17,0	170,0	128,0 ÷ 137,0	52,0	4,0
CFQ1505020	150,0	110,0	M20	14,5 x 17,0	170,0	128,0 ÷ 137,0	52,0	4,0
CFQ1776016	180,0	130,0	M16	18,5 x 21,0	190,0	145,0 ÷ 155,0	60,0	5,0
CFQ1776020	180,0	130,0	M20	18,5 x 21,0	190,0	145,0 ÷ 155,0	60,0	5,0

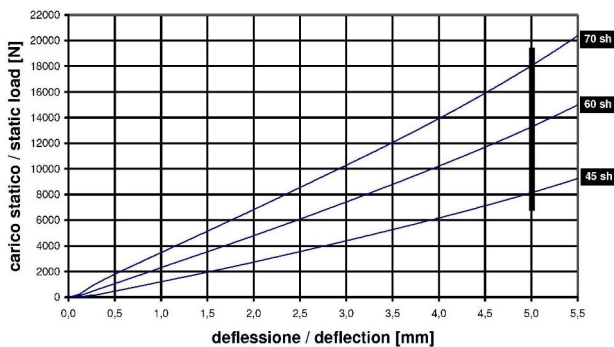


CODICE/CODE	A	C	D	E	L	M	B	S
CSQ15050	150,0	110,0	28,5	14,5 x 17,0	170,0	128,0 ÷ 137,0	52,0	4,0
CSQ17760	180,0	130,0	28,5	18,5 x 21,0	190,0	145,0 ÷ 155,0	60,0	5,0

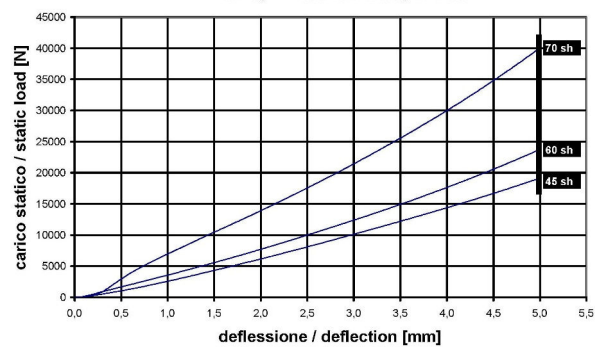
* Preventivi a richiesta secondo le quantità

* Quotations requests depends on quantity

CFQ 1505016 / CSQ 15050



CFQ 1776020 / CSQ 17760



Nota :
 CFQ = foro filettato
 CSQ = foro passante

Note :
 CFQ = threaded hole
 CSQ = hole

Le dimensioni e le caratteristiche delle attrezzature riportate nel presente documento, non vincolano la Soleco engineering s.r.l. e possono essere variate senza alcun preavviso.
 The dimensions and the features of the equipments mentioned in this price list can be changed by Soleco engineering s.r.l. without notice.