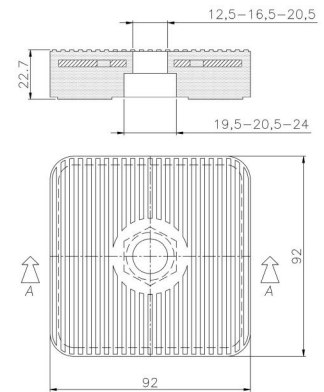


**CARATTERISTICHE :**  
**Elemento elastico :** Elastomero  
**Parti metalliche :** acciaio zincato bianco UNI-ISO 2081  
**Impieghi:** Macchine utensili, macchine tessili, presse meccaniche, apparecchiature elettroniche, stampatrici ecc.  
**CHARACTERISTICS :**  
**Elastic element :** Elastomer  
**Hardwares :** steel coated with white zinc UNI-ISO 2081  
**Uses :** machine tool, textile machine, mechanical press, electrical equipment, printing-machine, etc....

A richiesta: realizzazione degli antivibranti in materiale autoestinguente UL94-V0.  
 On request: antivibratings realization with retardant-flame material UL94-V0.



Codice / Code	Dimensioni / Size (mm)	Durezza / Hardness (Sh)	CARICO MAX (daN) MAX LOAD (daN)	Cedimento Deflection (mm)
P92x92x22F12W	92x92x22 F12	45	890	5,0
P92x92x22F12M	92x92x22 F12	60	1400	5,0
P92x92x22F16W	92x92x22 F16	45	890	5,0
P92x92x22F16M	92x92x22 F16	60	1400	5,0
P92x92x22F20W	92x92x22 F20	45	890	5,0
P92x92x22F20M	92x92x22 F20	60	1400	5,0

Codice / Code	Dimensioni / Size (mm)	CARICO MAX (daN) MAX LOAD (daN)		CARICO MAX (daN) MAX LOAD (daN)	Cedimento Deflection (mm)
		45 sh	60 sh		
JD9292M12-230	92x92x22 M12X230	890	1400	890	5,0
JD9292M12-330	92x92x22 M12X330	890	1400	1400	5,0
JD9292M12-390	92x92x22 M12X390	890	1400	890	5,0
JD9292M16-230	92x92x22 M16X230	890	1400	1400	5,0
JD9292M16-330	92x92x22 M16X330	890	1400	1400	5,0
JD9292M16-390	92x92x22 M16X390	890	1400	1400	5,0

