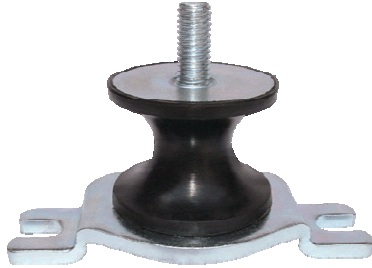


YVD

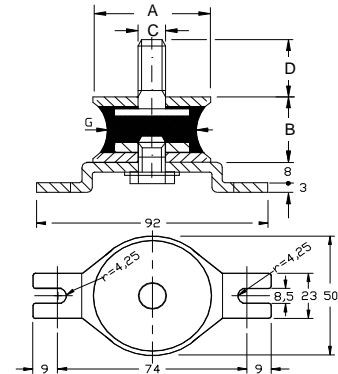


CARATTERISTICHE :

Elemento elastico : (gomma)
Parti metalliche : acciaio zincato bianco
 UNI-ISO 2081
Impieghi: motori a scoppio, motori elettrici , gruppi elettrogeni ,
 gruppi motocompressori e motopompe, gruppi frigoriferi, strutture
 metalliche.

CHARACTERISTICS :

Elastic element : (rubber)
Hardwares : steel coated with white zinc
 UNI-ISO 2081
Uses : petrol engines and pistone engine, electric motors, genera-
 tors, engine compressors, motor-pumps, refrigerators, metal
 structure.



CODICE/CODE	CARICO MAX A COMPRESSIONE (daN) MAX COMPRESSION LOAD (daN)		Cedimento Deflection (mm)	DIMENSIONI (mm) DIMENSIONS (mm)		
	45 Sh	60 Sh		AxB	G	CxD
YVD4030G15	11,0	16,0	2,8	40x30	15,0	M8x16
YVD4030G20	24,0	31,0	3,0	40x30	20,0	M8x16
YVD4030G27	35,0	53,0	5,0	40x30	27,0	M8x20